

# Outside temperature sensor PT1000

## EL-TS-O-02

### 1. Technical data



- Dimensions: 50 x 52 x 35 mm
- Probe length: 59 mm
- Probe diameter: 8 mm
- Sensor type: PT 1000
- IP: 65
- Work temperature: -20 – 70 °C
- Storage temperature: -20 – 70 °C

### 2. Description

Outside temperature sensor with PT 1000 sensor.

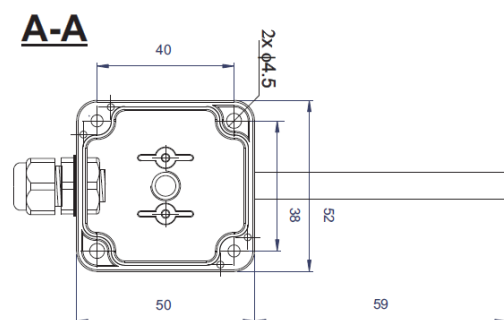
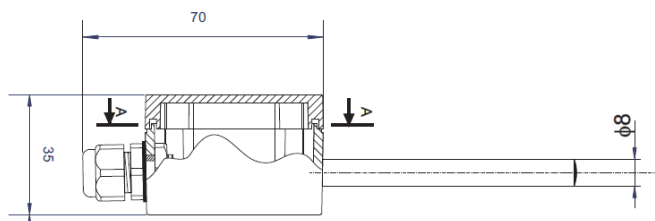
Temperature coefficient:  $\alpha = 3.850 \times 10^{-3} \text{ } ^\circ\text{C}^{-1}$

Sensor class: B

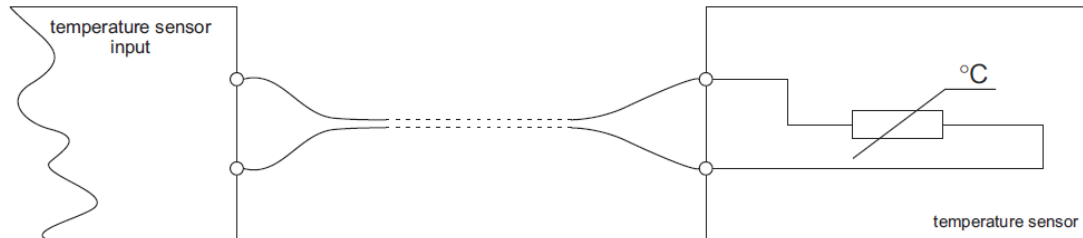
Maximum current: 1 mA

Maximum wire diameter: 1,5 mm<sup>2</sup>

### 3. Technical drawing



## 4. Connection



## 5. Assembly

