

Outside temperature sensor

NTC 10k

EL-TS-O-05

1. Technical data

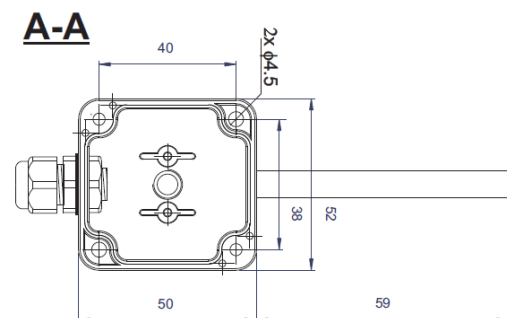
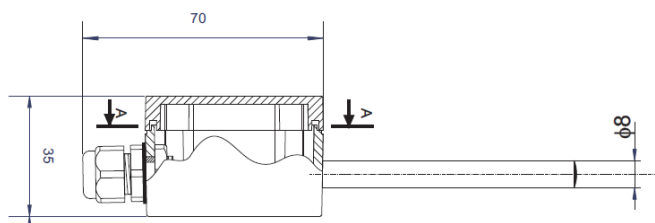


- Dimensions: 50 x 52 x 35 mm
- Probe length: 59 mm
- Probe diameter: 8 mm
- Sensor type: NTC 10k
- IP: 65
- Work temperature: -20 – 70 °C
- Storage temperature: -20 – 70 °C

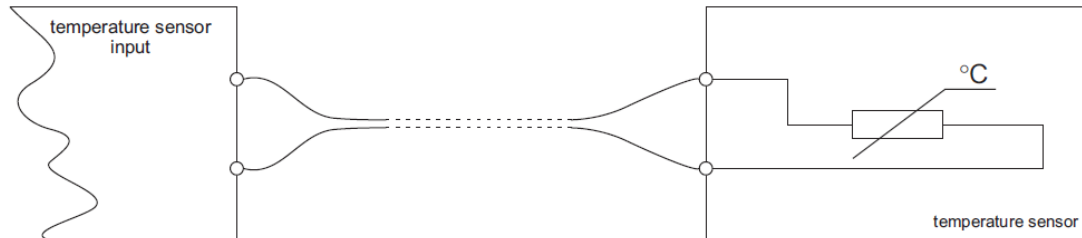
2. Description

Duct temperature sensor with NTC 10k Ω sensor.
Temperature coefficient: B = 3550 K
Maximum current: 1 mA
Maximum wire diameter: 1,5 mm²

3. Technical drawing



4. Connection



5. Assembly

