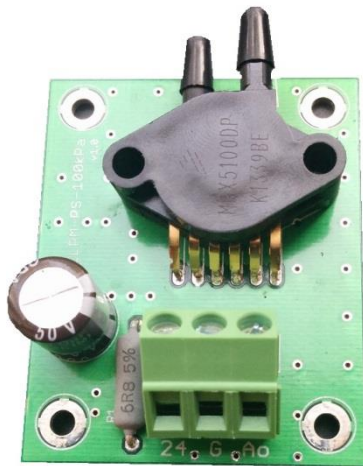


Differential Pressure Transmitter

ELPM-PS-100kPa

1. Technical data

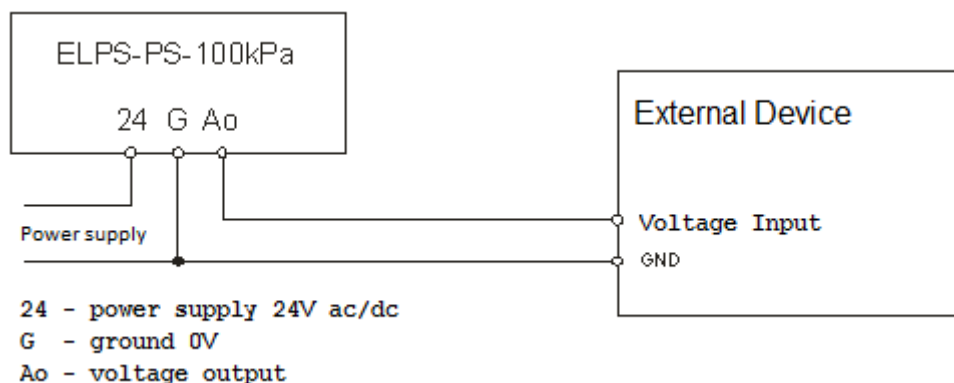


- Dimensions: 43 x 56 x 24 mm
- Supply voltage: 24 V AC/DC +/- 10%
- Power consumption: < 0,3 W
- Measuring range: 100 kPa
- Output voltage: 0 – 4,7 V
- Sensitivity: 45 mV / kPa
- Maximal error: 2,5% at temp. 0 ... 70 °C
- Operating temperature: -20 ... 70 °C
- Storage temperature: -30 ... 80 °C
- Degree of Protection: IP00

2. Description

The ELPM-PS-100kPa device is a differential pressure transmitter with measurement range 100kPa. The system is equipped with analog output voltage range of 0 - 4,7 V.

3. Connection diagram



4. Dimensions

