

# Ethernet module EL-ETH

## 1. Technical data



- Dimensions: 108 x 35 x 59 mm
- Power supply: 24 V AC
- Communication: Ethernet: 10 Base-T, RS 485
- Mounting: DIN rail

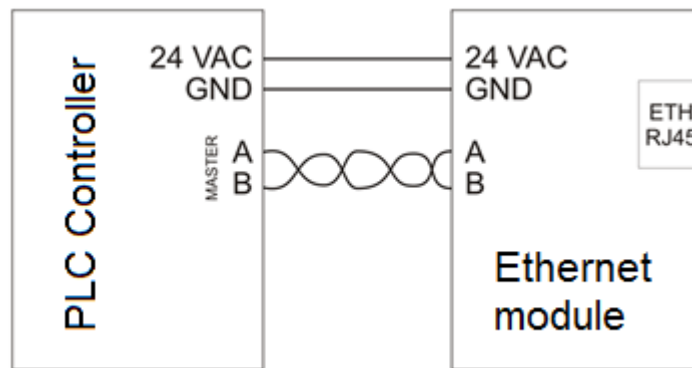
## 2. Terminals

24 VAC – power supply 24 VAC  
GND – power supply ground  
A, B – RS-485 communication lines  
ETH – Ethernet connector RJ45

## 3. Interface elements

FACTORY RESET – restore factory settings  
COM / ERR – communication and errors indication

#### 4. Example of connecting the module to the PLC controller



*Ethernet module* allows communication of the devices equipped with RS-485 interface via LAN / WAN network. It supports network protocols: ARP, ICMP, IP, TCP, UDP and HTTP, so that enables remote configuration and administration of the module via a web server's embedded web page. In UDP mode, the module can transfer data at up to 10 IPv4 addresses.

	Parameter	Parameter value
<b>Authorisation</b>	Login	admin
	Password	admin
<b>IP setup</b>	IP address	192.168.0.8
	Net mask	255.255.255.0
	Default Gateway	192.168.0.1
<b>TCP setup</b>	TCP mode	TCP server
	Server TCP port	56789
	TCP remote IP address	192.168.0.1
<b>UDP setup</b>	UDP mode	Disable
<b>System info</b>	MAC address	Unique
	Mapped MAC address	02-04-06-06-0A-0C
<b>Serial setup</b>	Baud rate	9600 bits/s
	Word length	8 bits
	Stop bits	2
	Parity	None
	Delimiter time	10ms

Table 1. Factory settings