

PLC Controllers – I/O expansion modules

ELPM series

1. Technical details

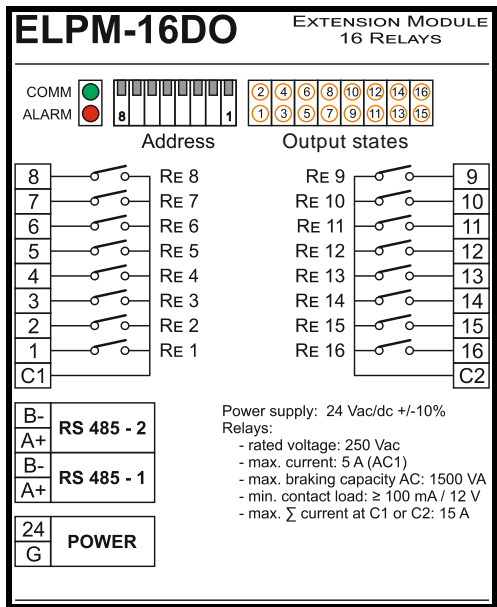


- Supply voltage: 24 V AC/DC
- Mounting: DIN rail
- Communication port RS485-1 (communication with MASTER controller, BMS system or HMI control panel)
- Communication port RS485-2 (communication with SLAVE controller or frequency drive)
- Communication protocols: Modbus RTU, BACnet
- Output of operating state I/O on LEDs
- Output of alarm and communication on LEDs
- Dimensions: 22,5 x 109 x 124 mm

2. Description

ELPM series modules are freely programmable PLC controllers (without RTC). They can be used as a stand-alone controllers or as an expansion modules for the expansion of other PLCs with additional functionality. Their compact design, large quantity of inputs and outputs allows you to build large control systems with compact dimensions. Special features of the device include: unlimited possibilities of configuration, BACnet and Modbus protocol support, slave device management (frequency drives, other modules), all types of EL-Piast's HMI based on communication on the RS-485 support.

3. Wiring diagrams and terminals description



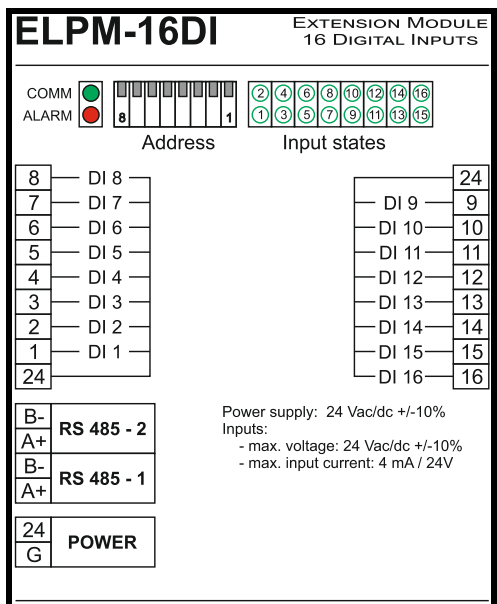
Terminals description:

24, G – power supply

A+, B- – communication port RS 485 – 1 or RS 485 – 2

C1, C2 – common relay contacts, respectively Re1 ... Re8 and Re9 ... Re16

1 ... 16 – relay contacts, respectively Re1 ... Re16



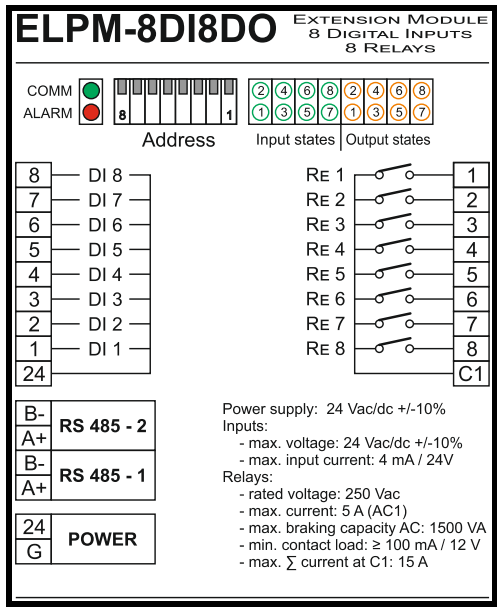
Terminals description:

24, G – power supply

A+, B- – communication port RS 485 – 1 or RS 485 – 2

24 – output voltage

1 ... 16 – digital inputs, respectively DI1 ... DI16



Terminals description:

24, G – power supply

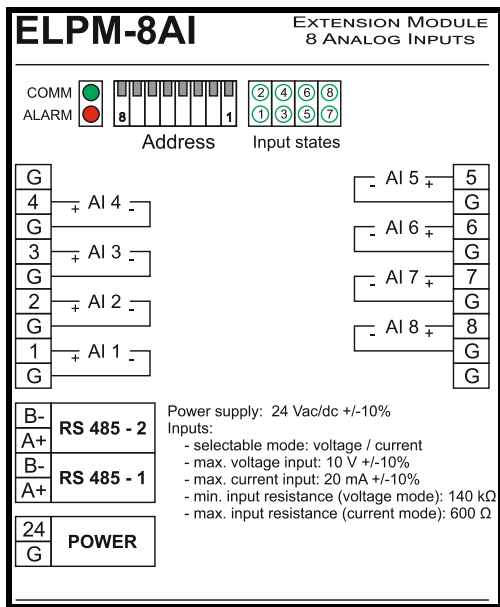
A+, B- – communication port RS 485 – 1 or RS 485 – 2

24 – output voltage

1 ... 8 – digital inputs, respectively DI1 ... DI8

C1 – common relay contacts Re1 ... Re8

1 ... 8 – relay contacts, respectively Re1 ... Re8



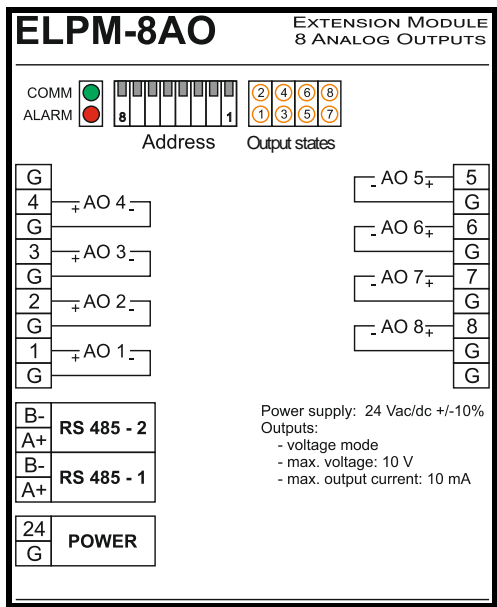
Terminals description:

24, G – power supply

A+, B- – communication port RS 485 – 1 or RS 485 – 2

G – ground

1 ... 8 – analog inputs, respectively AI1 ... AI8



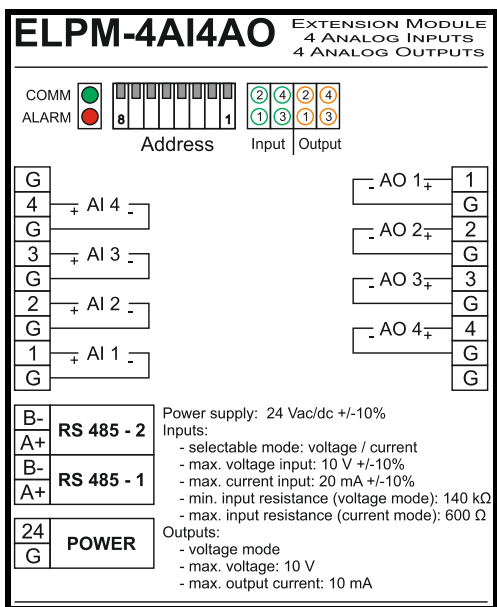
Terminals description:

24, G – power supply

A+, B- – communication port RS 485 – 1 or RS 485 – 2

G – ground

1 ... 8 – analog outputs, respectively AO1 ... AO8



Terminals description:

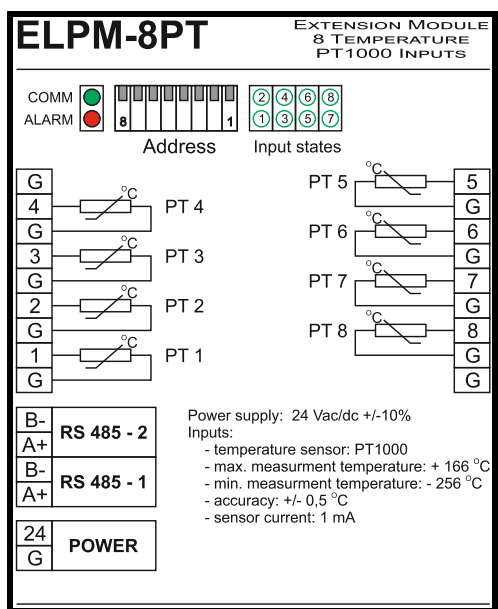
24, G – power supply

A+, B- – communication port RS 485 – 1 or RS 485 – 2

G – ground

1 ... 4 – analog inputs, respectively AI1 ... AI4

1 ... 4 – analog outputs, respectively AO1 ... AO4



Terminals description:

24, G – power supply

A+, B- – communication port RS 485 – 1 or RS 485 – 2

G – ground

1 ... 8 – temperature inputs, respectively PT1 ... PT8

4. Inputs/Outputs

	ELPM-16DO	ELPM-16DI	ELPM-8DI8DO	ELPM-8AI	ELPM-8AO	ELPM-4AI4AO	ELPM-8TP
Relays NO type	16 pcs. 5A	-	8 pcs. 5A	-	-	-	-
Digital Inputs	-	16 pcs. (nominal voltage 24 V AC/DC)	8 pcs. (nominal voltage 24 V AC/DC)	-	-	-	-
Analog Inputs (voltage/current)	-	-	-	8 pcs. 0..10V or 2..10V 8 pcs. 0..20mA or 4..20mA	-	4 pcs. 0..10V or 2..10V 4 pcs. 0..20mA or 4..20mA	-
Analog Outputs	-	-	-	-	8 pcs. 0..10V or 2..10V	4 pcs. 0..10V or 2..10V	-
Temperature Inputs	-	-	-	-	-	-	8 pcs. PT 1000 range -256...166°C



KP-ELPM-EN-V2